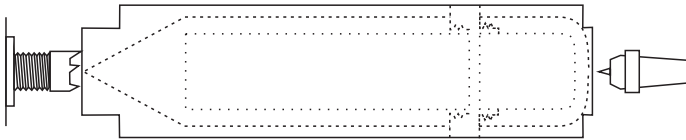


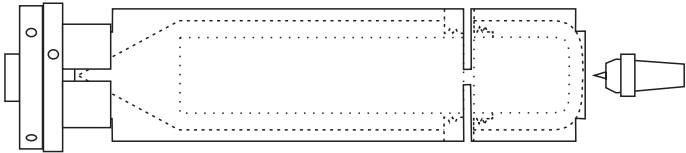
PENCIL CASE

Adapted from the project by Beth Ireland in American Woodturner, August 2018

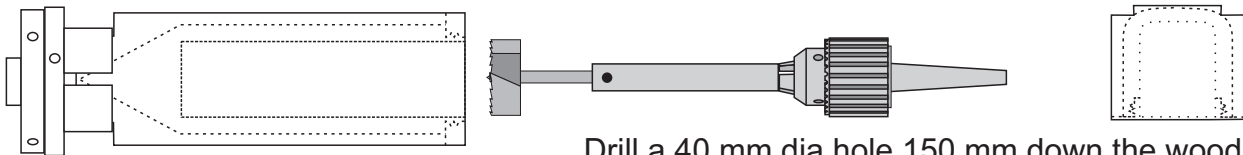
This design is for a threaded lid and the use of a router jig to make the flats on the pencil. Start with a block 270 long and 70 mm square with the grain along the long axis.



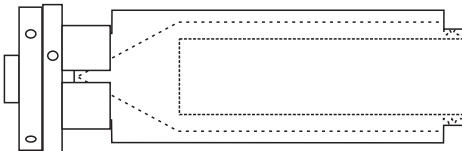
Mount between centres, round off and cut a spigot for a 50 mm chuck on the cap end. On the point end cut a spigot for a deep chuck.



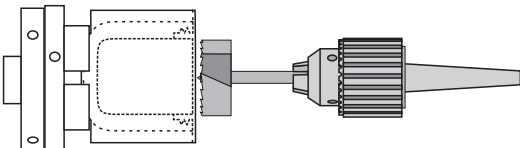
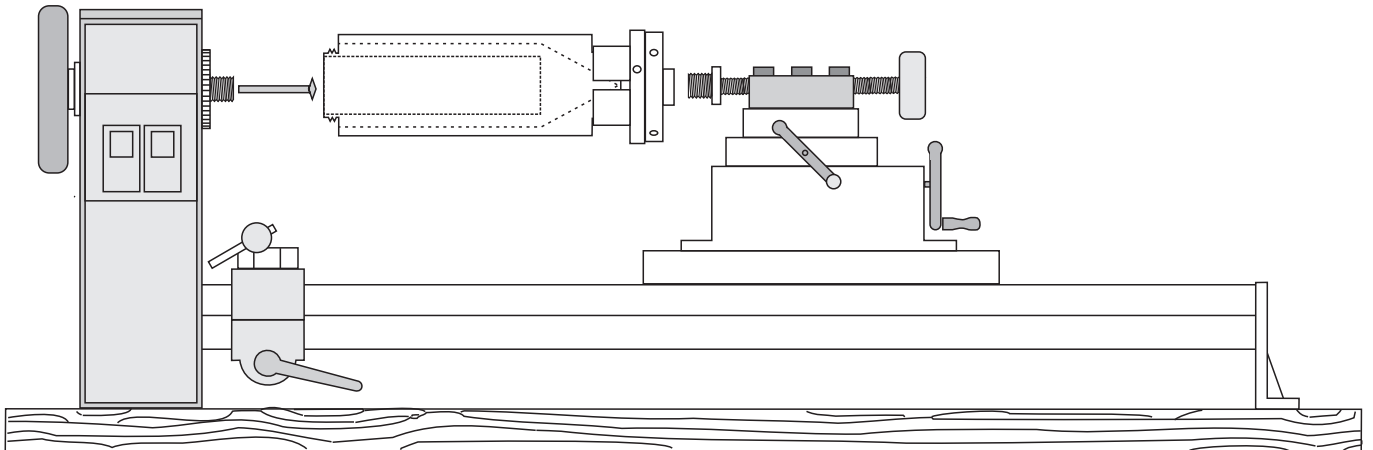
Mount the wood by the point end in deep jaws. Bring up the tailstock to help alignment. Part the cap end off. The parting cut is a 5 mm cut between 60 and 65 mm from the tailstock end.



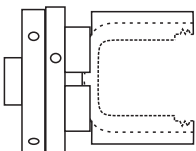
Drill a 40 mm dia hole 150 mm down the wood. Sand and finish the inside of this part.



Create a place to cut the thread. The size of this cut will depend on the size of thread you plan to cut. Cut the thread. For details of the threading jig see <https://sawg.org.nz/sawg/wp-content/uploads/2019/07/Threading-Jig.pdf>

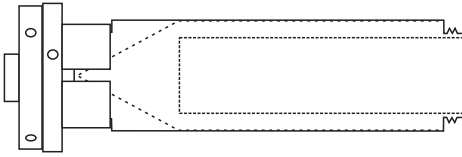


Mount the cap end in a chuck. Drill a 40 mm dia hole 40 mm into the cap then use a chisel to cut that hole deeper and with rounded corners.

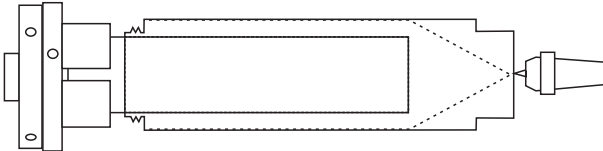


Measure the thread on the point end of the box. Cut a place for the internal thread on this cap end and then cut the required thread. Finish the inside. Remove it from the chuck.

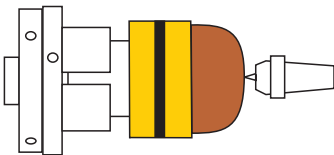
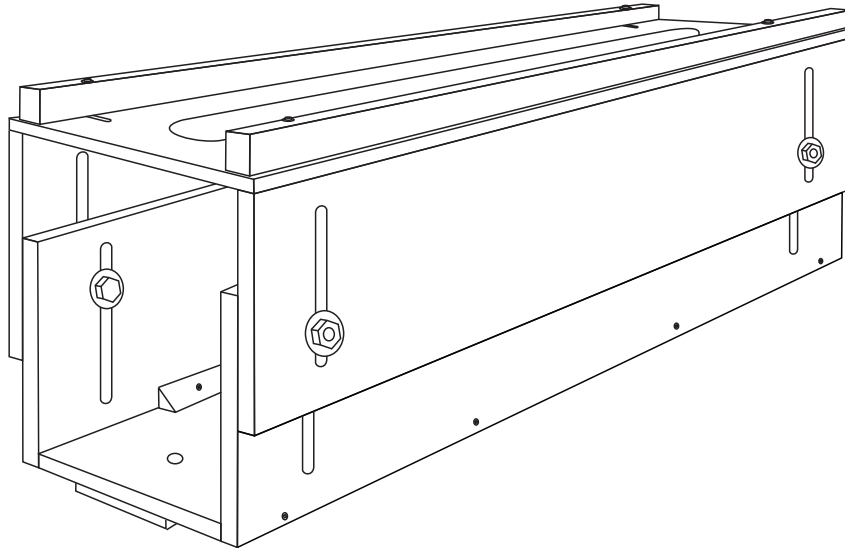
PENCIL CASE P2



Turn the diameter down to 54 mm. Remove this part from the chuck.



Make a 40 mm diameter mandrel mounted in a deep jawed chuck. Put the point end of the box on this mandrel. Bring up the tailstock firmly and tape the threaded end to the mandrel. Cut the six flat sides of the pencil using a router in a jig. For details see <https://sawg.org.nz/sawg/wp-content/uploads/2019/10/Router-Box.pdf> Remove this wood from the mandrel. Mask the threads and paint the flat areas with a bright pencil paint.



Mount the box top on the mandrel (or make a new shorter mandrel). Turn it down to a diameter to match the point end. Then shape it like a pencil eraser. Sand, texture and colour this piece.



Put the point end of the pencil case back on the mandrel. Turn the pointed end to shape. Not too sharp. Sand this area. Add a little black marker pen as the lead tip of the pencil.

