

Spoon Box

A Guilio Marcolongo Design

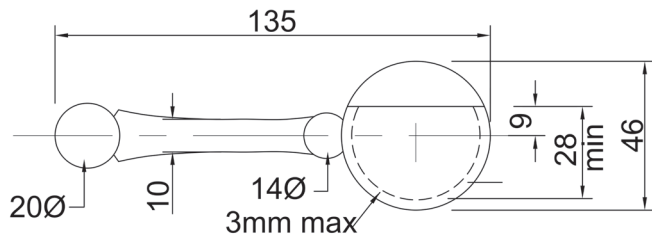
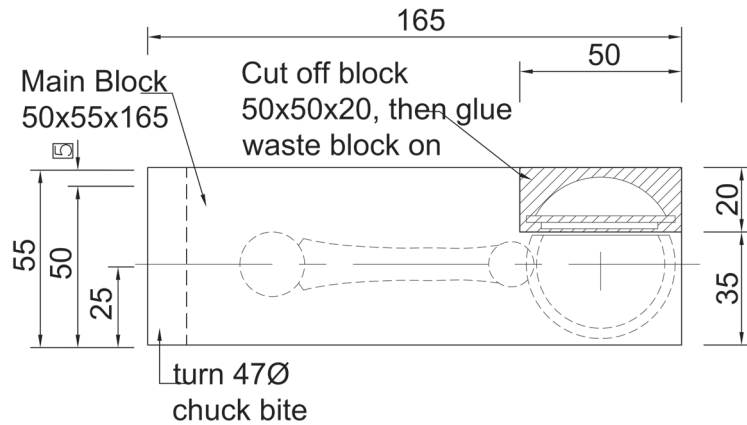
Start with a block of wood 50 x 55 x 165. Bandsaw off a 50 x 50 x 20 piece for the lid. Glue in a replacement waste block of the same size.

Glue another waste block 50 x 50 x 30 to the lid block that you cut from the main block.

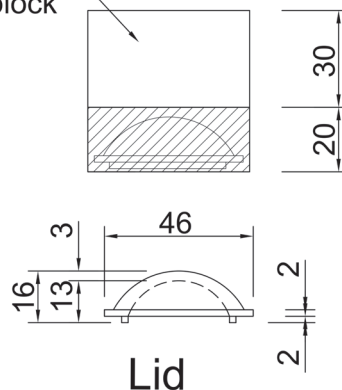
Mount the wood between centres on the lathe and turn it down to 47mm dia with a 45mm spigot on the handle end. Mount this block in 50mm jaws and bring up the tailstock (A Steb style live centre is recommended).

Shape the sphere that is to be the spoon to 46mm diameter. See <https://sawg.org.nz/tipsnjigs/> for a circle template to help with this.

Remove the tailstock to finalise turning of the sphere. Sand and finish the sphere. Place a small cup chuck on the tailstock live centre and bring it up to support the sphere. Turn the handle of the spoon. Sand and finish, then part it off from the chuck. Hand sand the parting cut area.



Glue 2nd Waste block 50x50x30 to lid block cut from main block



Make a jam chuck that will hold the spoon with the bandsawn face parallel to the face of the chuck. Turn off the last of the waste block and hollow the spoon to 3mm thick. Sand and finish. Remove the spoon from the jam chuck.

Mount the lid block by holding the glued-on waste block in a 50mm chuck. Turn the lower part of lid to fit inside the turned spoon. Hollow the lid out to a curve that will make it 3mm thick. Start shaping the edges and top of lid while it is on the waste block. Get the curve following thru from the lower part of spoon. Sand and finish all these areas. Part the lid off the waste block. Use this waste block for a jam chuck to fit the underside of the lid. Complete the shape of the lid, use a 46mm circle template for this. Sand and finish.