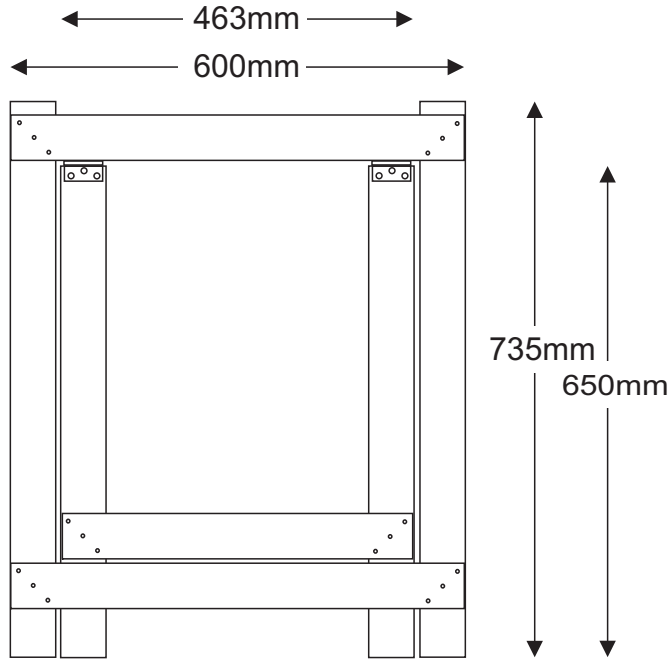




A TRESTLE

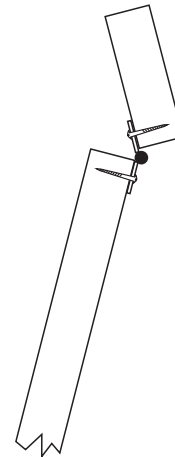
This is a trestle designed (with the help of a second trestle) to support a part sheet of MDF, an old door, or the like, to make a table.

The timber used is 60mm wide and 18 to 20mm thick (4.46m + wastage is needed for each trestle). Note that the two longest vertical parts protrude above the cross member at the top by about 20mm for a cleaner support of the table top.



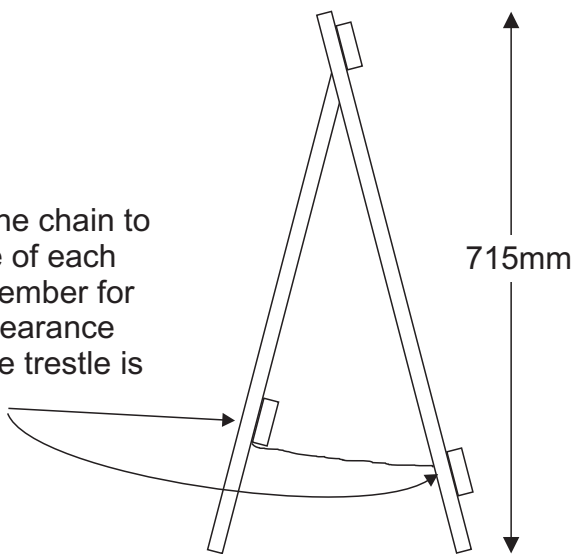
Plan

Glue and screw all joints.



Hinge fitting detail.

Attach the chain to this side of each cross member for better clearance when the trestle is folded.



Elevation when joining chain fitted and legs spread