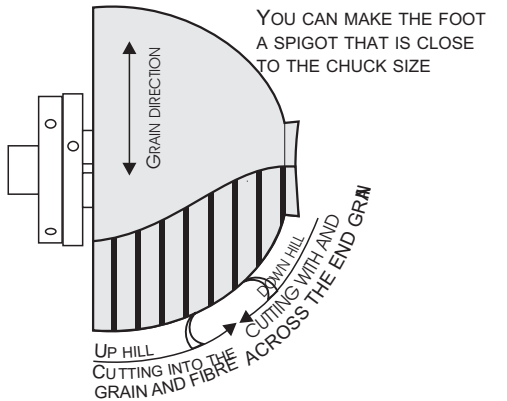
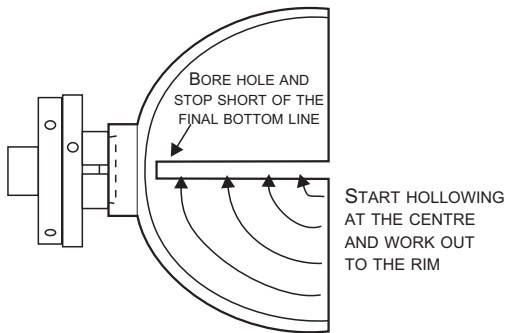


## A SIMPLE BOWL

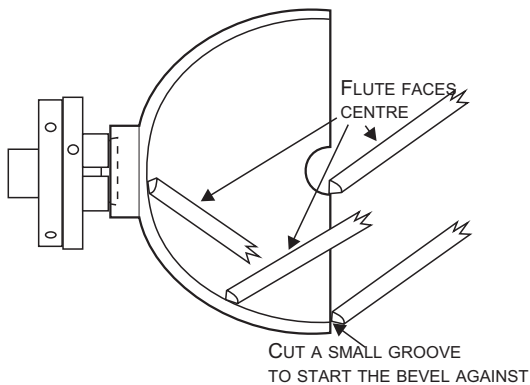
This project sheet shows a bowl with a simple curve and no decorations. A wide variety of chisels, scrapers or hollowers may be used for this project - use the tools of your choice.



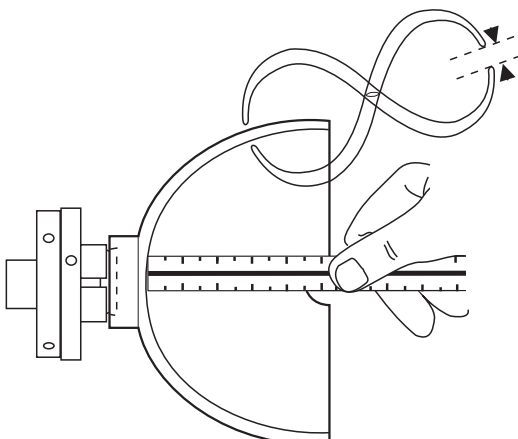
Mount the wood with the side that will become the top towards the headstock of the lathe. Use a faceplate, screw chuck or expand a scroll chuck into a drilled hole. Round the block off and make a dovetail recess or spigot for re-mounting. Shape the outside. Finishing cuts should be downhill for the best finish. You may choose to completely finish the outside at this time.



Re-mount the wood in a scroll chuck with the foot of the bowl towards the headstock. A hole drilled down the centre can make cutting easier and can be drilled to show you when you are nearing the required depth.



A hole drilled down the centre can make cutting easier and can be drilled to show you when you are nearing the required depth. Start hollowing at the centre and work out to the rim. The cuts inside the bowl should follow the curve of the outside.



Check wall thickness and check the depth frequently as the bowl nears completion. Sand and finish the inside. Turn the bowl over and hold it to a rubberised faceplate with the tailstock, or in a Longworth chuck, Cole jaws, a vacuum chuck or jam chuck. Clean the bottom.