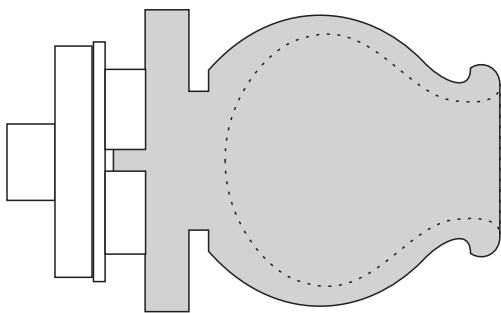


Salt Pig

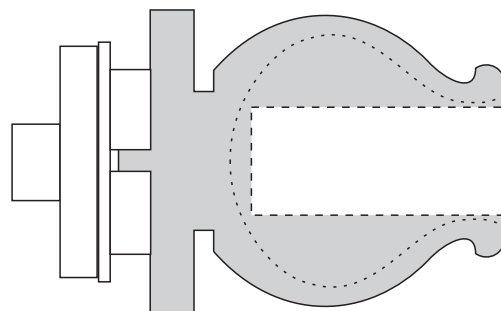
The size and shape shown here is my ideal, but you may make your salt pig any size or shape you like.

Start with a block at least 130mm long and 120mm square, with the grain along the long axis.

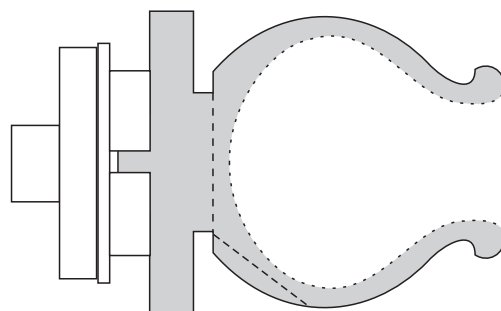
Mount this by one end on a faceplate and bring up the tailstock for security. Or mount between centres and change to a scroll chuck after rounding off.



After the block is rounded off, cut the outside to shape. In this example the finished pig is to be 110mm wide and 110mm long.



If you don't have a suitable drill you may miss this step. Drill out the centre. The desired mouth opening is 45mm so a 40mm forstner bit can be used.



Hollow the inside. Note the thickness left towards the bottom to allow for later shaving off of the foot.

Sand and finish.

Part off, but make the parting cut flat. Remount or hand sand the parting cut.

Shave off a piece to make a foot at your preferred angle.

