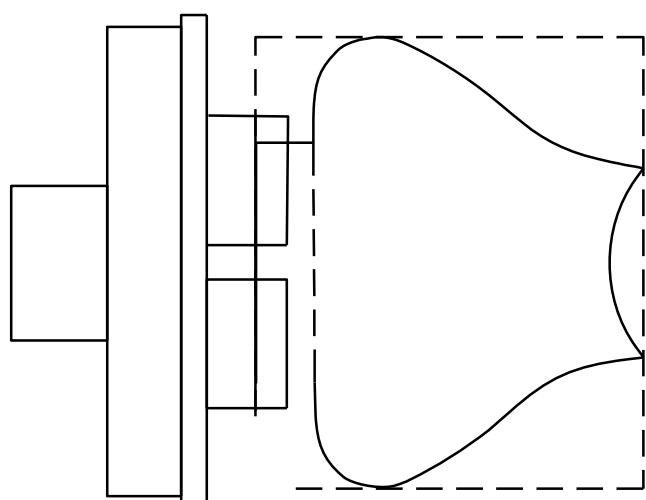
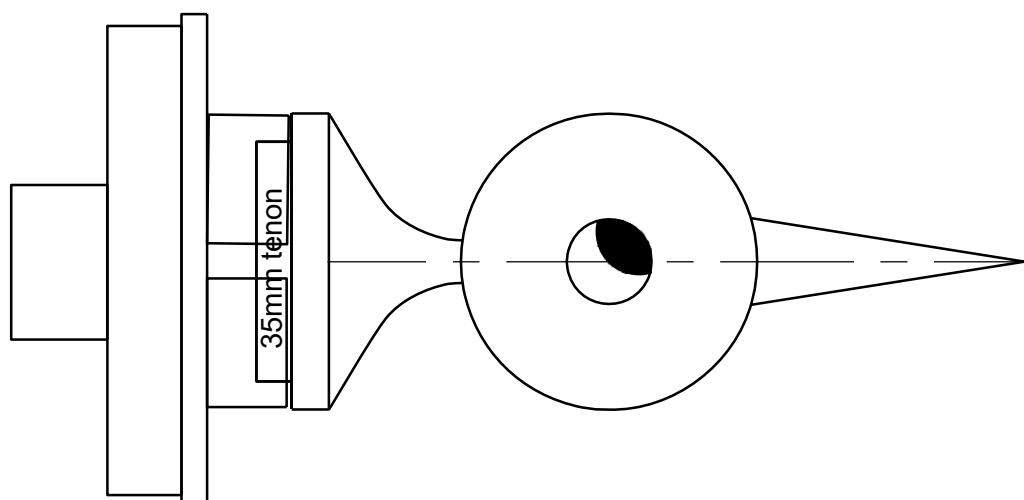
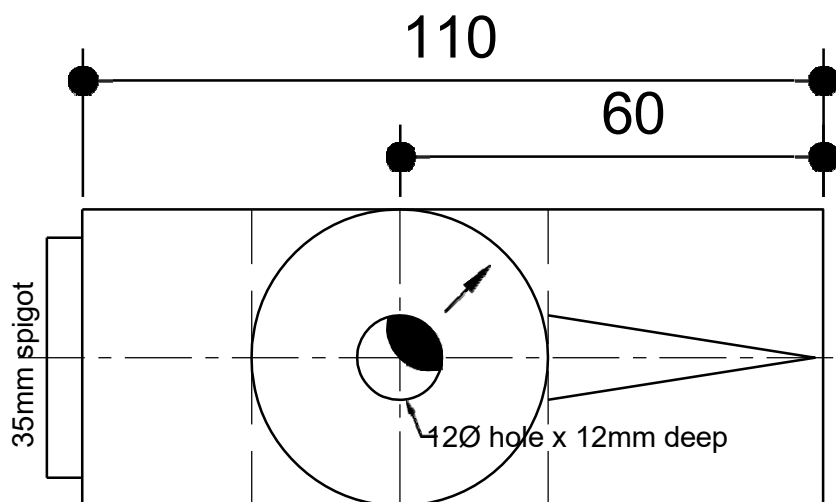
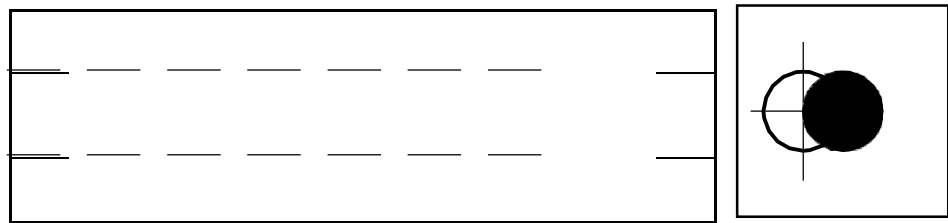


Danish Bird



Start with min 14mm sq x 100mm long piece dark wood for eye. Turn between centres down to 12mm Ø.

Now a piece of light coloured wood 30mm sq x 100mm long, drill 12mm Ø hole full length. Glue the 12mm Ø dark wood into this piece of wood.

When glue has dried place 30mm sq x 100mm between centres. the centre for turning to be on the edge of the 12mm Ø insert. Turn down to 12mm Ø. This is for the eyes.

For the head block of wood 42mm sq x 110mm long. Mark out the eye location both sides, drill 12mm Ø x 10mm deep both sides. Cut 2 - 11mm long pieces from the eye dowel and glue them in either side. Note alignment for dark section of eye.

Place between centres, turn down 35mm spigot at one end.

Place in chuck to suit, turn down as shown. Head Ø 42mm. Part off and remove small spigot on head.

Base can be squat or tall. Squat base use block 64sq x 55mm high. Place between centres, turn 35 mm spigot one end. Place in suitable chuck. Turn upper end to 25mm Ø. Hollow out to hold the spherical head. Shape lower to your required shape. Part off remove base spigot. Place on table, place head on to suit. Finished.

You can add any finish you prefer.

