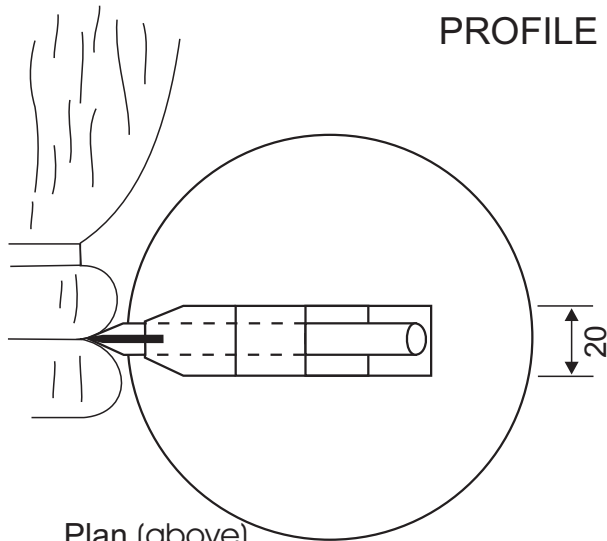




## PROFILE FOLLOWER

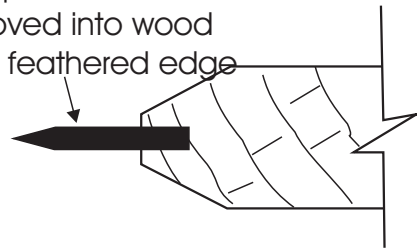


Plan (above)  
showing follower in use

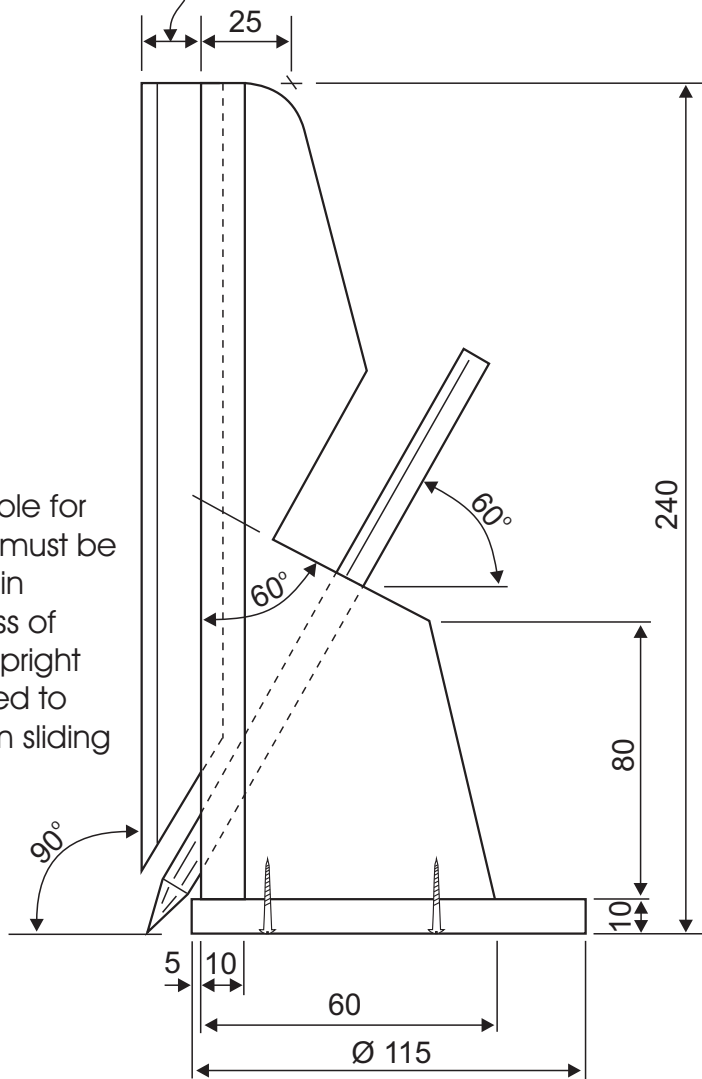
Plastic edge to line up  
with the marker point

from the original drawing  
by Bob Main,  
South Auckland  
Woodturners Guild

Thin plastic sheet  
grooved into wood  
and feathered edge



Note: hole for  
marker must be  
central in  
thickness of  
wood upright  
and sized to  
give firm sliding  
fit.



Elevation

Note: dimensions  
shown (in mm) are not  
critical.

Critical factors are:

1. follower edge must be 90° to base.
2. edge must be exactly vertical above point where marker touches paper.