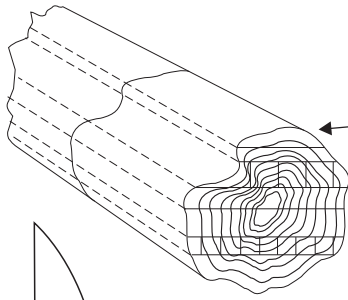
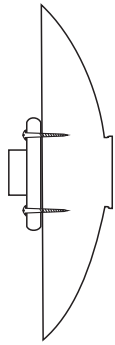


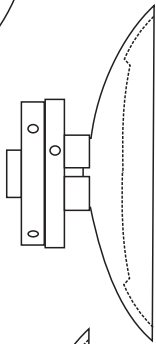
## GIANT MUSHROOM as shown by Ian Outshoorn



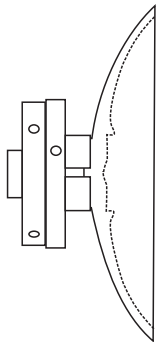
This project uses the sappy slab which is otherwise wasted from the edge of the log. The wood is then turned wet with the intention that it will warp and twist.



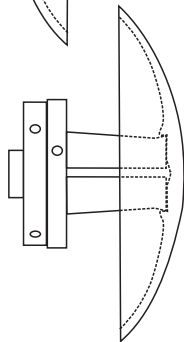
Mount the wood on a faceplate or on a chuck using a drilled dovetail. Cut the surface to a gentle curve with a short spigot for a chuck.



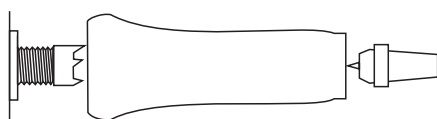
Turn the inside to an even thickness and reasonably thin, but not to the thinness that will stop warpage of the wood. As this wet wood may warp as it is cut, reduce it to thickness in a stepwise manner.



Leave it a bit thicker in the middle and cut a dovetail into the centre. This dovetail is for holding the wood in a chuck while the top is finished and to loosely fit the stem of the mushroom. Ensure that there is a dent in the centre of this dovetail to take a generous blob of silicone glue to hold the stem to the top.



Remount on a long-nosed chuck and clean off the first chuck bite. This wood is wet but it does pay to sand it now.



Turn a stem from wet or dry wood to the shape of your choice. Ensure that it has a wide base to support the wide mushroom top well. This stem should not be a tight fit in the mushroom top or the top may split when it dries and shrinks.

