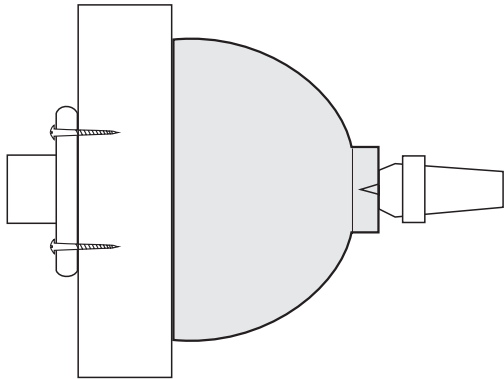


A BOWL - NO CHUCK

This project sheet shows a bowl with a simple curve and no decorations made without the use of a scroll chuck.

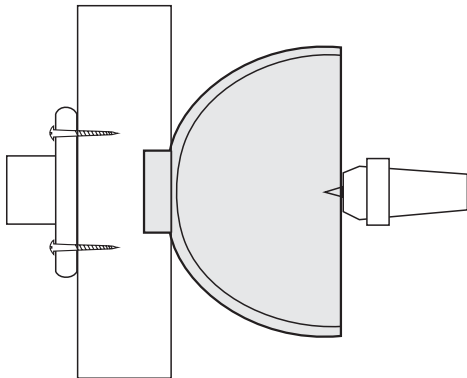
A wide variety of chisels, scrapers or hollowers may be used for this project - use the tools of your choice.



Mount a block on a faceplate and true it up - both the face and the edge.

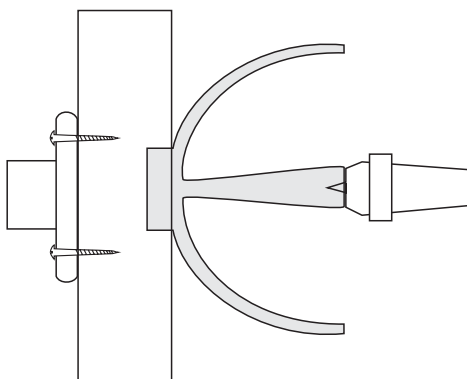
Jam your bowl blank between the tailstock and the block.

Cut a spigot on the blank. Shape the outside and you may choose to sand and finish that part now.



Cut a dovetail in the block to fit the spigot on the bowl.

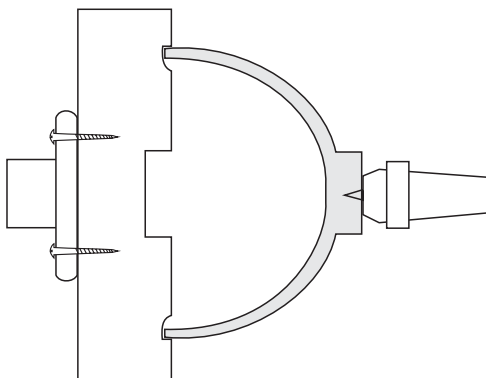
Re-mount the bowl with the spigot securely in the dovetail and bring up the tailstock for added security.



Finish the very edge of the outside that was against the block previously.

Hollow the bowl while leaving the support of the tailstock in place until the very last hollowing cuts.

Finish the inside.



Cut a groove around the block which will take the rim of the bowl firmly.

Jam the bowl into this groove and bring up the tailstock for added security.

Clean off and finish the bottom. The last little bit at the centre may need to be pared off after the bowl is off the lathe.